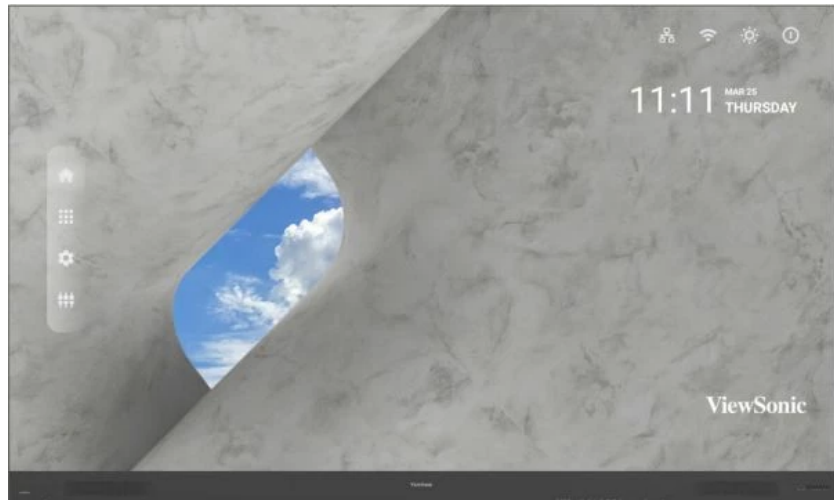


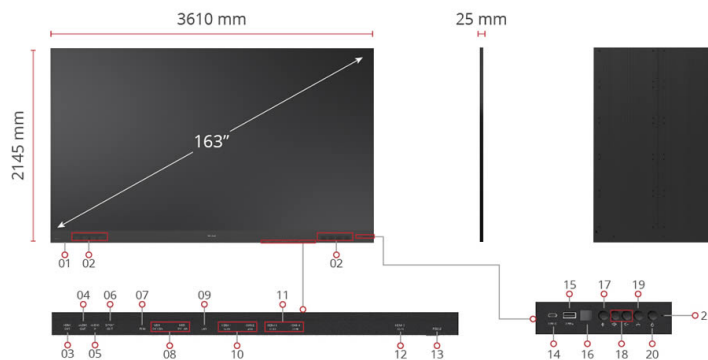
Key Features

- Impressively large, bezel-free visual experiences
- All-in-One design without complicated setup
- Real-to-life colors and high brightness
- Immersive audio from built-in Harman Kardon speakers
- Adaptable and flexible to suit any display scenario



Product Description

Gaze upon astoundingly lifelike imagery on the minimalistic 2nd Gen 163" ViewSonic® LDP163-181 All-in-One Direct View LED display. The All-in-One modular design offers an effortless installation and maintenance process. This next-generation display is upgraded with advanced features to deliver a spectacular audiovisual experience and user-forward design. Delivering 120% Rec. 709 wide color gamut, lightning-fast 4,440Hz refresh rate, and a peak brightness of 600 nits, every video, presentation, or lecture will be an immersion of real-to-life color and extraordinary detail. The display is also equipped with Harman Kardon speakers, 4K/HDR/HLG support, and Frame Interpolation technology for unsurpassable, immersive content delivery. At 25mm slim and lined with a 5mm frameless edge, the sleek display exudes sophistication and elegance in any modern setting. It offers flexibility and adaptability in design – with portrait and landscape installations to complement any space and scenario. The screens can be easily fused together to form an ultra-wide 32:9 video wall to deliver a seamless visual experience in epic proportions. The system control box can also be easily detached to blend into every design.



1. Power Switch
 2. Harman Kardon Speakers
 3. HDMI Out
 4. Audio Out
 5. Audio In
 6. S/PDIF Out
 7. IR In
 8. USB 2.0 (5V/1.5A) x 2
 9. LAN & Control
 10. HDMI 2.0 x 2
 11. HDMI 1.4 x 2
 12. HDMI 2.1
 13. RS232
 14. USB-C (5V/2A)
 15. USB 2.0 (5V/1.5A)
 16. IR Receiver
 17. Menu Control: Brightness Level
 18. Menu Control: Volume
 19. Menu Control: Input Source
 20. Power Button
 21. Indicator Light
-

Visit Us

www.viewsonic.com

SPECIFICATION

Screen Size:	163"
Display Area (mm):	3600 (H) x 2025(V)
Native Resolution:	1920x1080
Panel Technology:	Direct view LED
LED Package Type:	SMD 3 in 1
Bonding Wire:	Gold
Pixel Pitch (mm):	1.88
Refresh Rate:	4440Hz
Brightness (max.):	600 nits (8 levels adjustable)
Contrast Ratio (typ.):	6000:1
Orientation:	Landscape / Portrait
Viewing Angles (typ.):	H = 160, V = 160
LED Lifetime (typ.):	100,000 Hours
Local Storage:	Total 64GB (56GB available storage)
Embedded OS:	Android 9.0
Resolution Support:	VGA(640 x 480) to 1080p(1920 x 1080)
HDTV Compatibility:	480i, 480p, 576i, 576p, 720p, 1080i, 1080p, 2160P/60Hz
Horizontal Frequency:	23-120 kHz
Vertical Scan Rate:	15-135 Hz

INPUT

HDMI:	x6(HDMI 2.1 x 1, HDMI 2.0 x 2, HDMI 1.4 x 2, HDMI 2.0 internal x1)
USB Type A:	x3(USB2.0 x3)
RJ45 Input (Internet):	x1
IR in:	x1
Wi-Fi Input:	2.4G/5G Hz
USB Type C:	x1(Video input, Power output (5V/2A))
Audio-in (3.5mm):	x1
HDBaseT:	x1(1080P@100m, 4K30Hz@70m)

OUTPUT

HDMI out:	x2(HDMI 2.0 external x1,internal x1)
Speaker:	20W x2 (harman kardon)
Audio out (3.5mm):	x1
USB Type A (Power):	Shared with USB input(5V/1.5A x3)

CONTROL

RJ45 (LAN control):	x1(shared with internet)
USB Type A (Services):	x1(shared with USB A input)
RS232 (DB 9-pin female):	x1
IR Receiver:	x1

OTHERS

Power Supply Voltage:	100-120V/30A~ 50/60Hz or 220-240V/15A~ 50Hz(vary by country)
Power Consumption:	1860W (typ), 2660W (max)< 0.5W (Sleep), < 0W (Off)
Operating Temperature:	0~40°C
LED Module Quantity:	144
Ingress Protection Rating:	IP30
Net Weight:	375 lbs(170 kg)
Gross Weight:	613 lbs(278 kg)
Screen Dimensions (WxHxD):	142.5x84.5x1 inches(3610x2145.3x25 mm)
Screen Dimensions (WxHxD) with wall mount:	142.5x84.5x2.2 inches(3610x2145.3x57 mm)
Packing Dimensions:	82.7x27.95x29.8 inches(2100x710x760mm)

STANDARD ACCESSORIES

Power Cord:	x1
LAN Cable (Cat 5A):	x1(5m)
IR Extender Cable:	x1(3m)
Remote Control:	x1
QSG:	x1
Wall Mount:	x1
Spare Parts:	LED PCB Unit x7
Maintenance Tool:	LD-MK-001 x1

OPTIONAL ACCESSORIES

Maintenance Tool:	LD-MK-001
Floor Stand:	LD-STND-007
ViewBoard Cast Button(USB-C):	VB-WPS-001
ViewBoard Cast Button(USB-A+HDMI):	VB-WPS-003